

SVET

Installation Manual

INDEX

| | |
|---|---------------|
| 1 - INTRODUCTION | pag. 2 |
| 1.1 - Symbols used in the manual..... | pag. 2 |
| 1.2 - Personnel qualifications | pag. 2 |
| 1.3 - Necessary equipment | pag. 3 |
| 1.4 - Before starting installation | pag. 3 |
| 2 - SAFETY | pag. 4 |
| 2.1 - General safety information | pag. 4 |
| 2.2 - Working environment..... | pag. 5 |
| 3 - SVET COMPONENTS AND DIAGRAMS | pag. 6 |
| 3.1 - Tilting diagrams | pag. 6 |
| 4 - INSTALLATION TABLES AND TECHNICAL DRAWINGS | pag. 7 |
| 5 - INSTALLATION | pag. 9 |



1 - INTRODUCTION

This “installation manual” for SVET awnings has been produced by SHADELAB and includes the necessary instructions for installing the product.

Installation must be carried out by qualified personnel having the technical and professional skills as provided for by the applicable national laws or regulations (see Par. 1.2 “Personnel qualifications”).

The manual pages and their content shall not be deleted, rewritten or modified.

This manual must be kept intact in all its parts, in an easily accessible place. **SHADELAB** reserves the right to update the production and relevant manuals, without updating the previous production and manuals.

SHADELAB reserves all rights regarding this manual: any total or partial reproduction thereof is forbidden without a written authorisation.

1.1 - Symbols used in the manual

Listed below are the WARNING symbols used in this manual:



IMPORTANT

Instructions and useful advice to be observed for a correct use of the awning.

Failure to follow them may prejudice product integrity and/or resistance.



WARNING

HAZARD FOR THE OPERATOR! Instructions and direction to be carefully assessed and observed.

Failure to follow them may endanger personal safety.

1.2 - Personnel qualifications

The personnel in charge of installation must have a technical knowledge of the product, gained by installing similar products for at least one year or by following a suitable technical training course.



1.2 - Necessary equipment

The equipment listed below is required to ensure the correct installation of the mechanical and textile components and guarantee perfect operation of the finished product:

- » electric and pneumatic screwdriver;
- » complete set of tools;
- » equipment for working at heights (access platforms, ladders, scaffolding, overhead platforms, etc.) complying with current occupational safety regulations;
- » wall plugs;
- » level;
- » string.

1.3 - Before starting installation



IMPORTANT

Before starting operations, the personnel shall consider the following information needed for successful installation:

- » awning dimensions;
- » brackets dimensions;
- » open/close control side (manual or motorised);
- » dimensions of the installation wall/ceiling;
- » compliance of the wall/ceiling with the standards for bearing weights (have the wall surveyed by a specialised technician).



2 – SAFETY

2.1 - General safety information

Follow the safety precautions listed below:



WARNING

Use the clothing and personal protective equipment provided for by the applicable occupational safety and health regulations (protective helmet, gloves, etc.).



WARNING

Do not use the awning to support yourself: risk of serious personal injury and of damaging the awning.



IMPORTANT

Do not put objects on the awning.



IMPORTANT

This manual is an integral part of the product. Before installation, read carefully all the instructions contained herein.



IMPORTANT

SHADELAB guarantees the EC marking only for the products it supplies. Should any part be replaced with other components not guaranteed by SHADELAB, the product warranty shall automatically become void and SHADELAB shall not be held liable for any product malfunctioning.



WARNING

Some awning components are constantly subject to a strong pressure (arms) and, should the instructions in this manual not be followed carefully, may cause serious harm to persons, animals and property.



WARNING

Ensure the temporary equipment used (access platforms, scaffolding, ladders, etc.) as well as all individual protective equipment (harnesses, safety belts, etc.) comply with the applicable regulations and are in good conditions before use.

**WARNING**

If the awning must be installed on a floor higher than the ground floor, cordon the area off so as to ensure that nobody is under the awning when it is being lifted to the relevant floor.

**WARNING**

All handling and lifting operations shall be carried out with the utmost care, keeping unauthorized personnel at safe distance; nobody shall stand under suspended loads, either still or in motion.

**WARNING**

The installation shall comply with the applicable national safety regulations.

(In Italy: D.P.R. (Decree of the President of the Republic) 164/56 and D.Lgs (Legislative Decree) 494/06)

**IMPORTANT**

During the operations described herein, ensure that ONLY authorized personnel access the work area (See Par. 1.2 "Personnel qualifications").

**WARNING**

If the awning is installed on a floor higher than the ground floor, the personnel cleaning the awning shall pay closer attention to the greater height from the ground to prevent falls.

**WARNING**

If a ladder is required during installation, ensure it is firmly placed on the ground to avoid tipping and consequent harm to the personnel involved in the installation.

**WARNING**

Ensure that no persons, animals or property are near the awning during opening/closing operations.

2.2 - Working environment

During installation operations, adequate natural and/or artificial lighting must be provided.

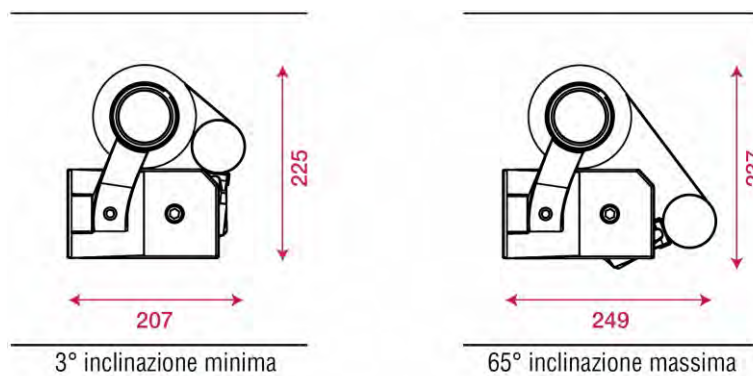


3 - SVET COMPONENTS AND DIAGRAMS

3.1 Tilting diagrams

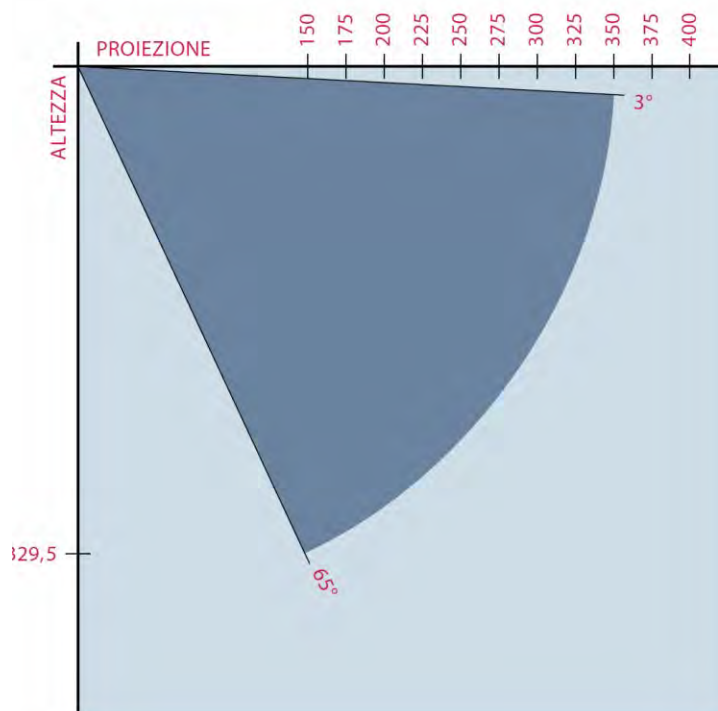
Awning dimensions with folded arms

Wall installation



Arm length and inclination

Wall installation



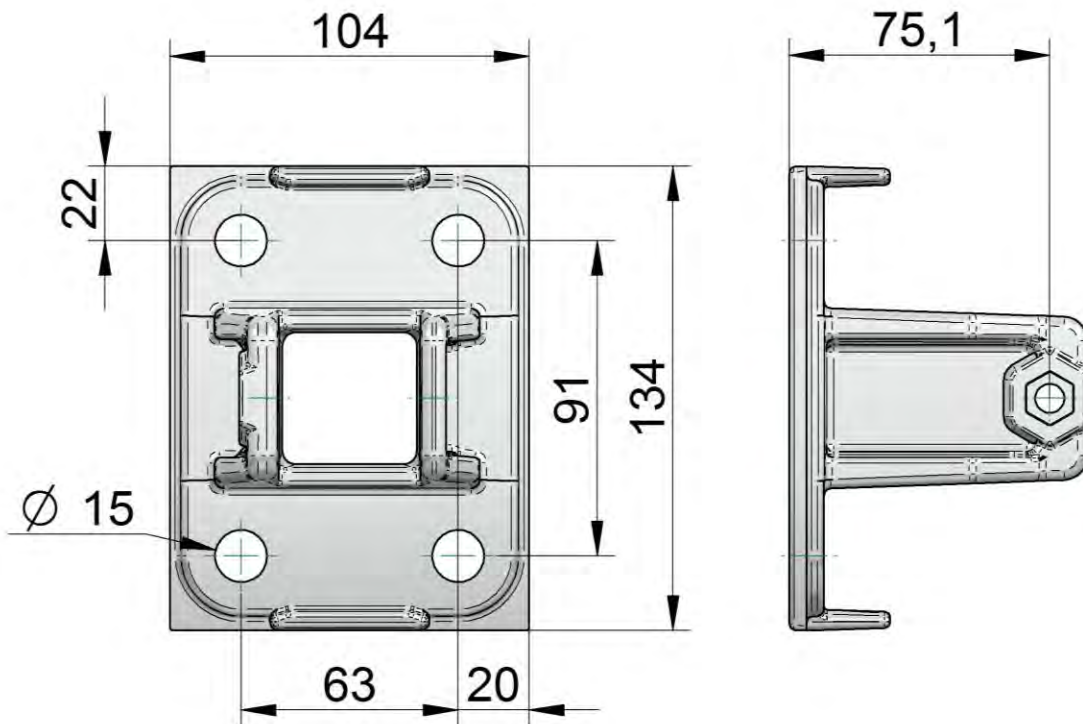
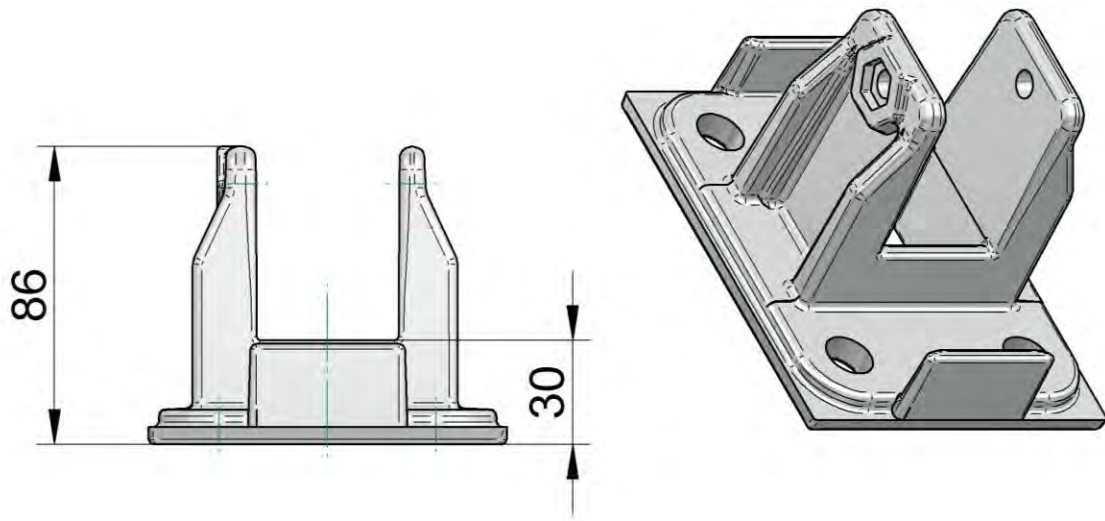
RECOMMENDED ARM: **URBAN**

RECOMMENDED DIMENSIONS: **width 600 cm - projection 350 cm**



4 - INSTALLATION TABLES AND TECHNICAL DRAWINGS

Fixing bracket





Quantity of brackets according to width and projection

WARNING: brackets must be positioned within the hatched areas.

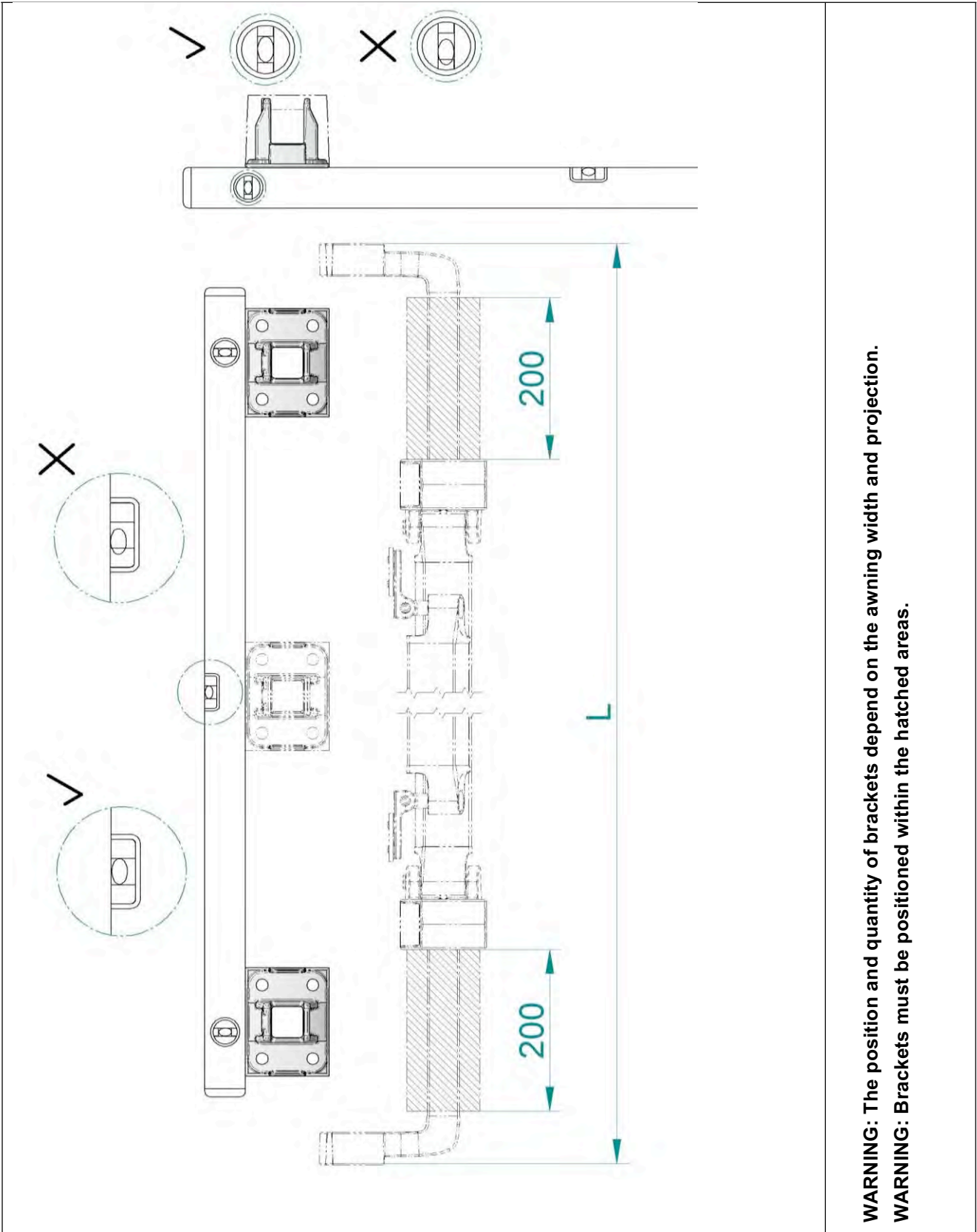
| Numero staffe | | LARGHEZZA TENDA | | | | | | | | | | | | |
|---------------|--|-----------------|---------|---------|---------|---------|----------|----------|----------|----------|-----------|------------|-------------|--|
| | | 251-300 | 301-350 | 351-400 | 401-450 | 451-500 | 501-550* | 551-600* | 601-700* | 701-800* | 801-900** | 901-1000** | 1001-1100** | |
| | | 2 BRACCI | | | | | | 3 BRACCI | | | 4 BRACCI | | | |
| 165 | | 2 | 3 | 3 | 3 | 3 | 4 | 4 | 7 | 8 | 8 | 9 | 9 | |
| 215 | | 2 | 3 | 3 | 3 | 3 | 4 | 4 | 7 | 8 | 8 | 9 | 9 | |
| 265 | | - | 3 | 3 | 4 | 4 | 4 | 4 | 7 | 8 | 8 | 9 | 9 | |
| 315 | | - | - | 4 | 4 | 4 | 5 | 5 | 7 | 8 | 8 | 9 | 9 | |
| 365 | | - | - | - | 4 | 4 | 5 | 5 | 7 | 8 | 8 | 9 | 9 | |
| SPORGENZA | | | | | | | | | | | | | | |

* 1 supporto compensatore ** 2 supporti compensatore *** 3 supporti compensatore



5 - INSTALLATION

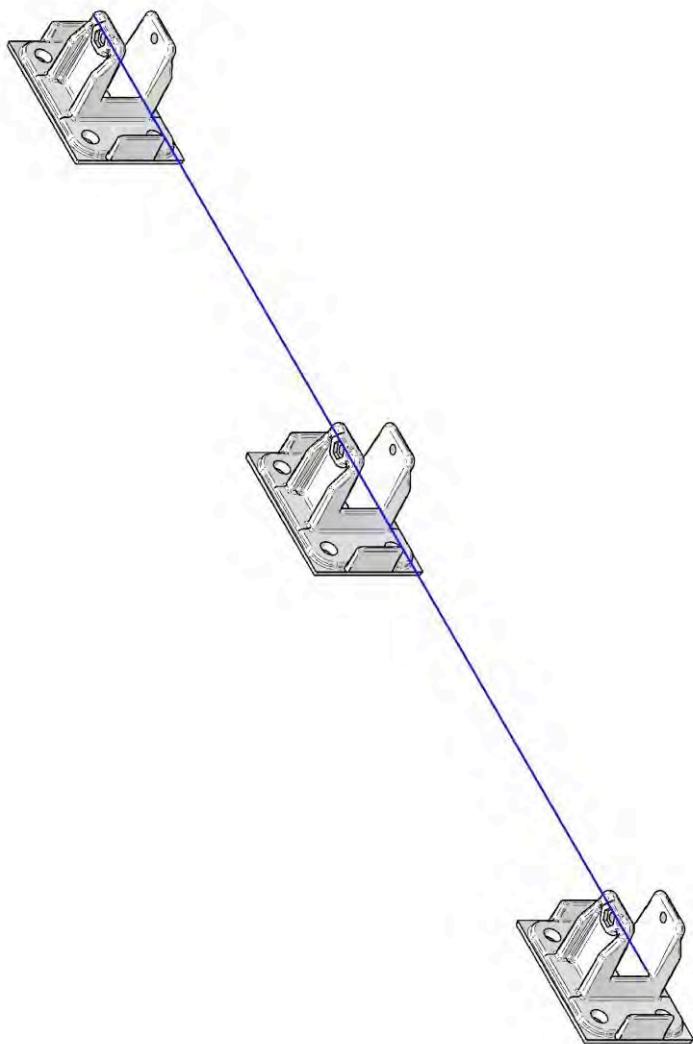
Correct brackets position



WARNING: The position and quantity of brackets depend on the awning width and projection.
WARNING: Brackets must be positioned within the hatched areas.



Brackets alignment

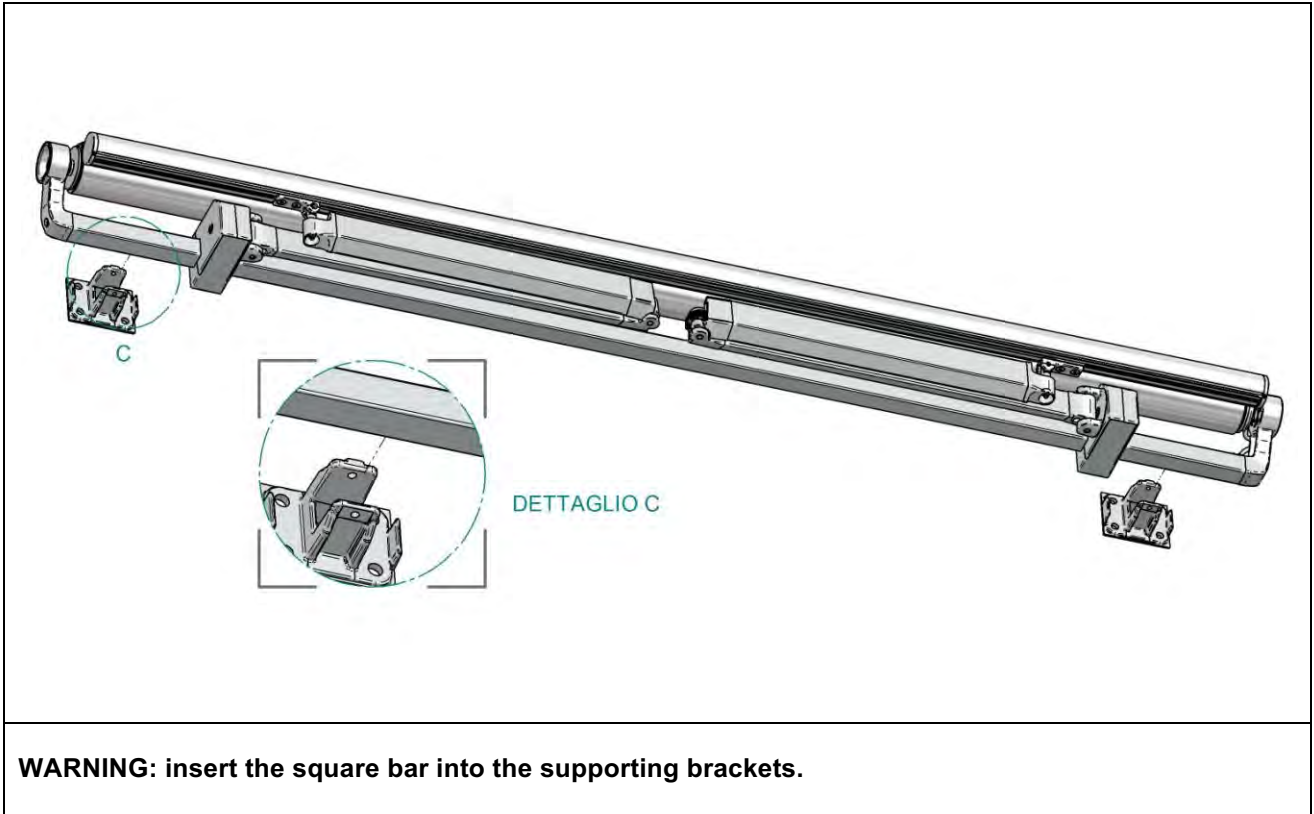


WARNING: the quantity of brackets depends on the awning width.

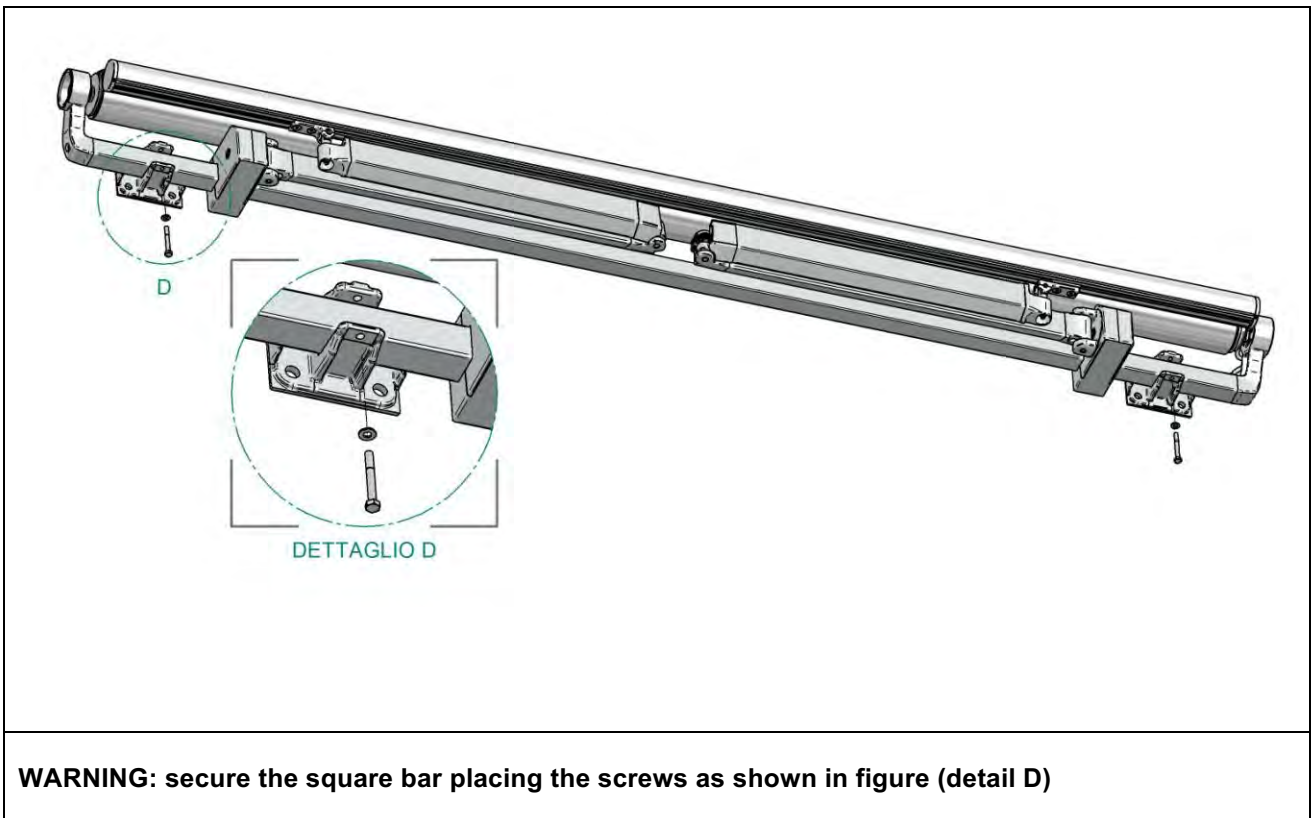
WARNING: all brackets must be aligned



Installation

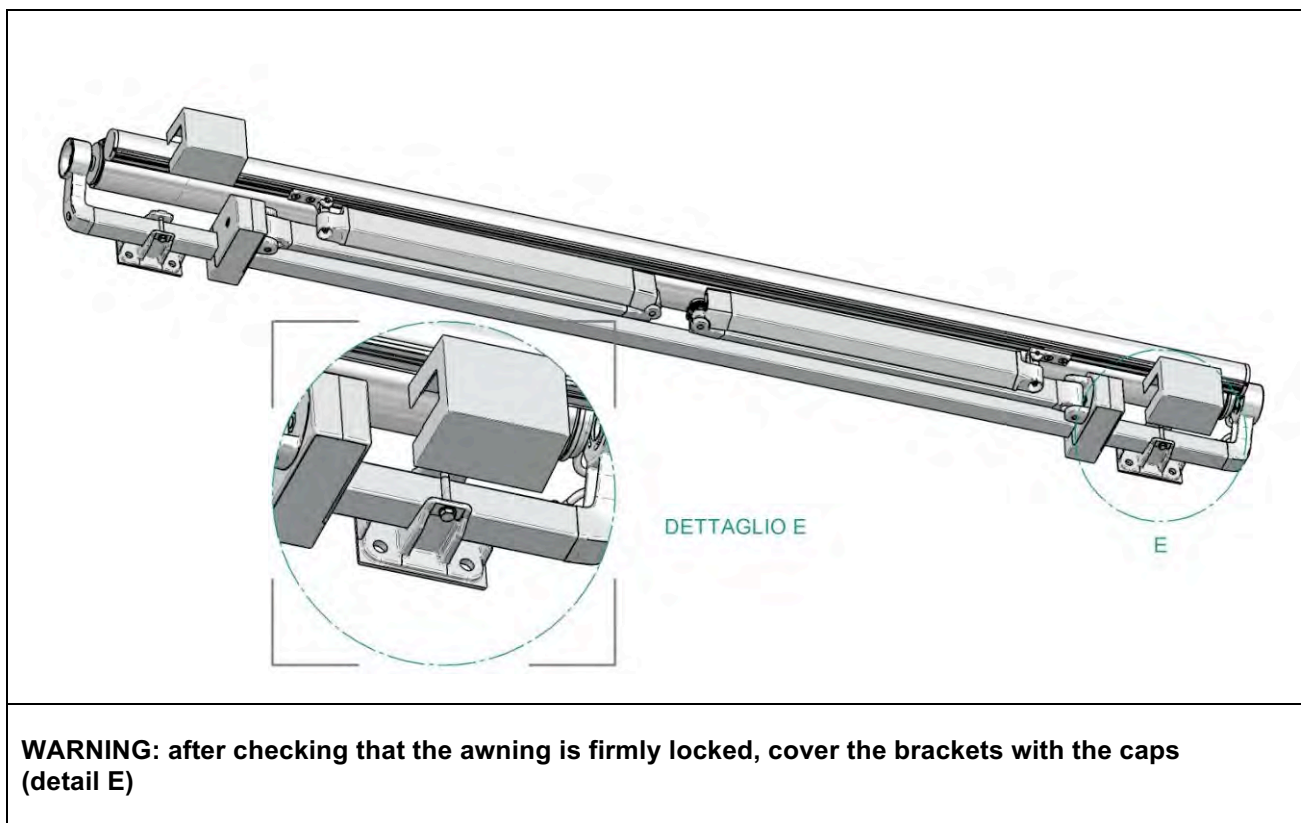


Close-up: fixing screw of the square bar awning

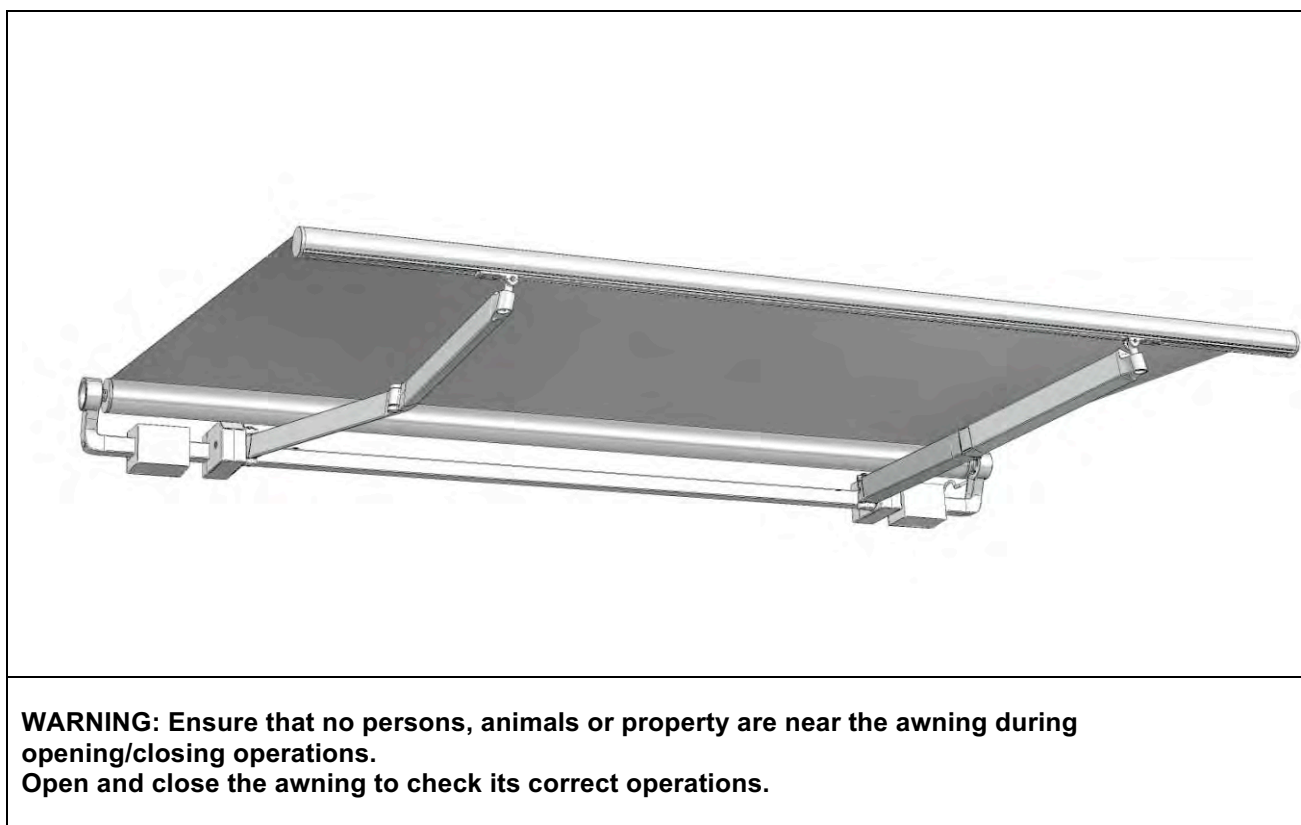




Fitting caps to brackets

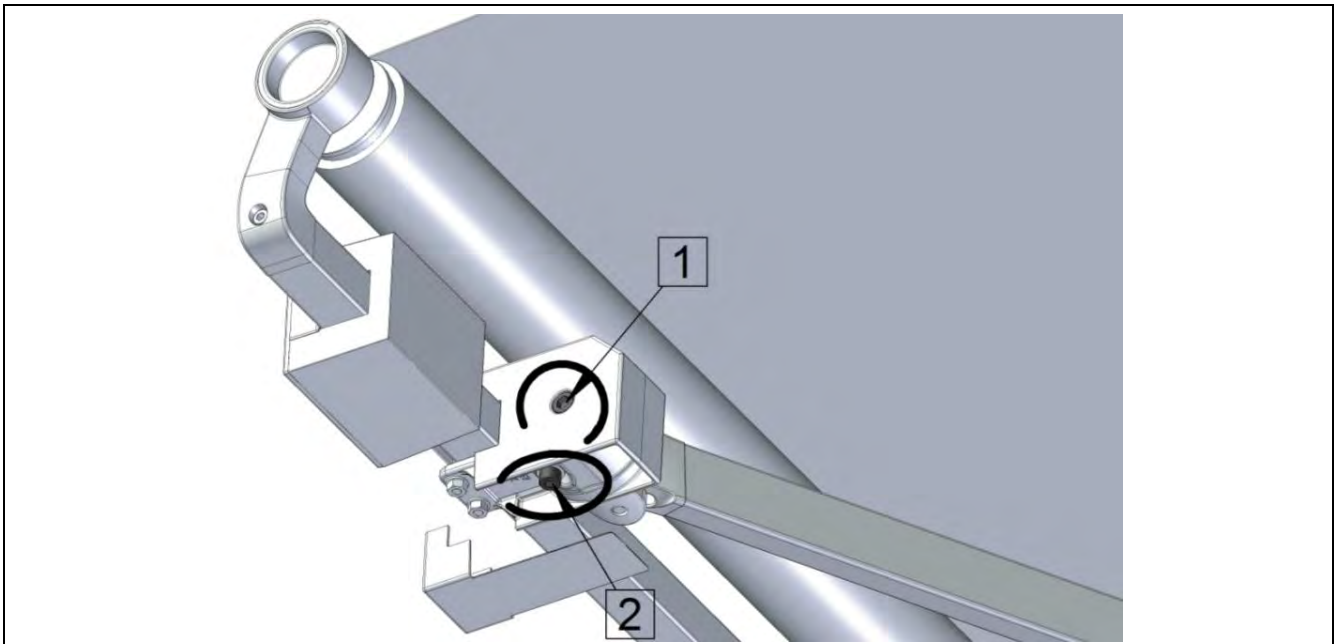


Awning adjustments





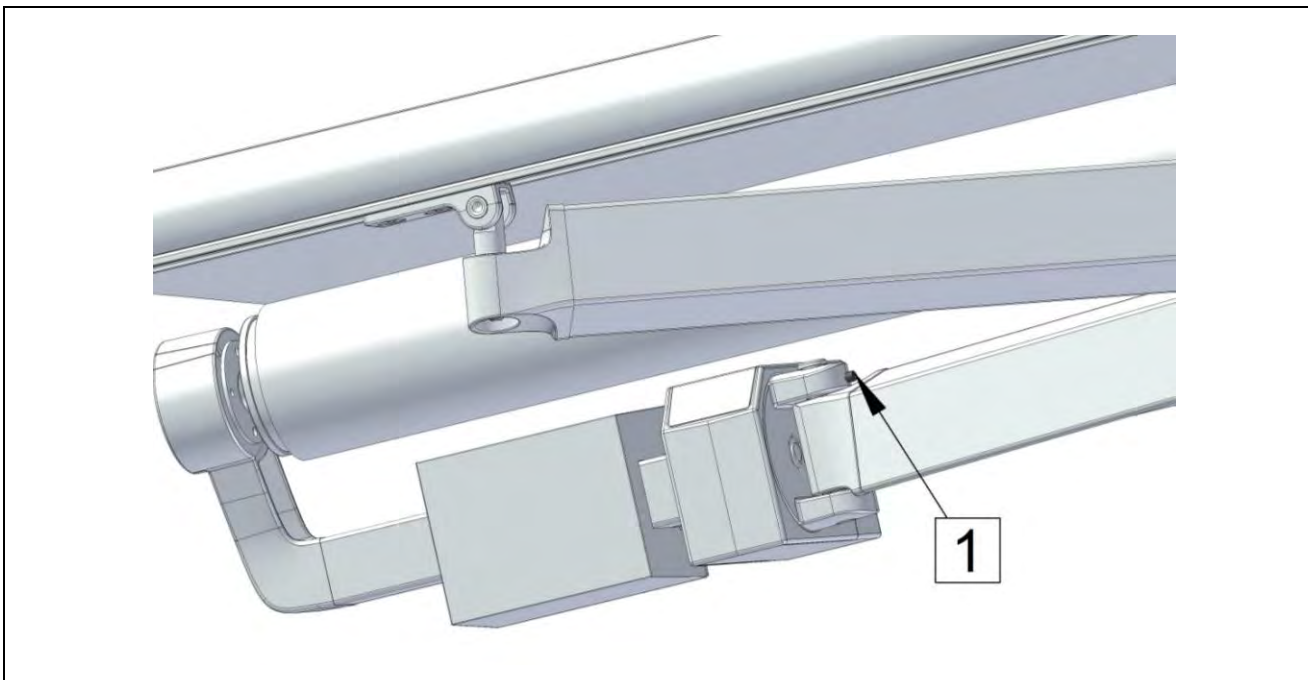
Angle adjustment



WARNING: remove the lower cap from the arm support.
Loosen the side screws (1) of the arm support (Allen wrench 10).
To increase the angle, loosen the socket-head cap screw (2) (Allen wrench 8).
To decrease the angle, tighten the socket-head cap screw, lifting the terminal bar accordingly.
After adjustment, check that the terminal bar is perfectly horizontal.

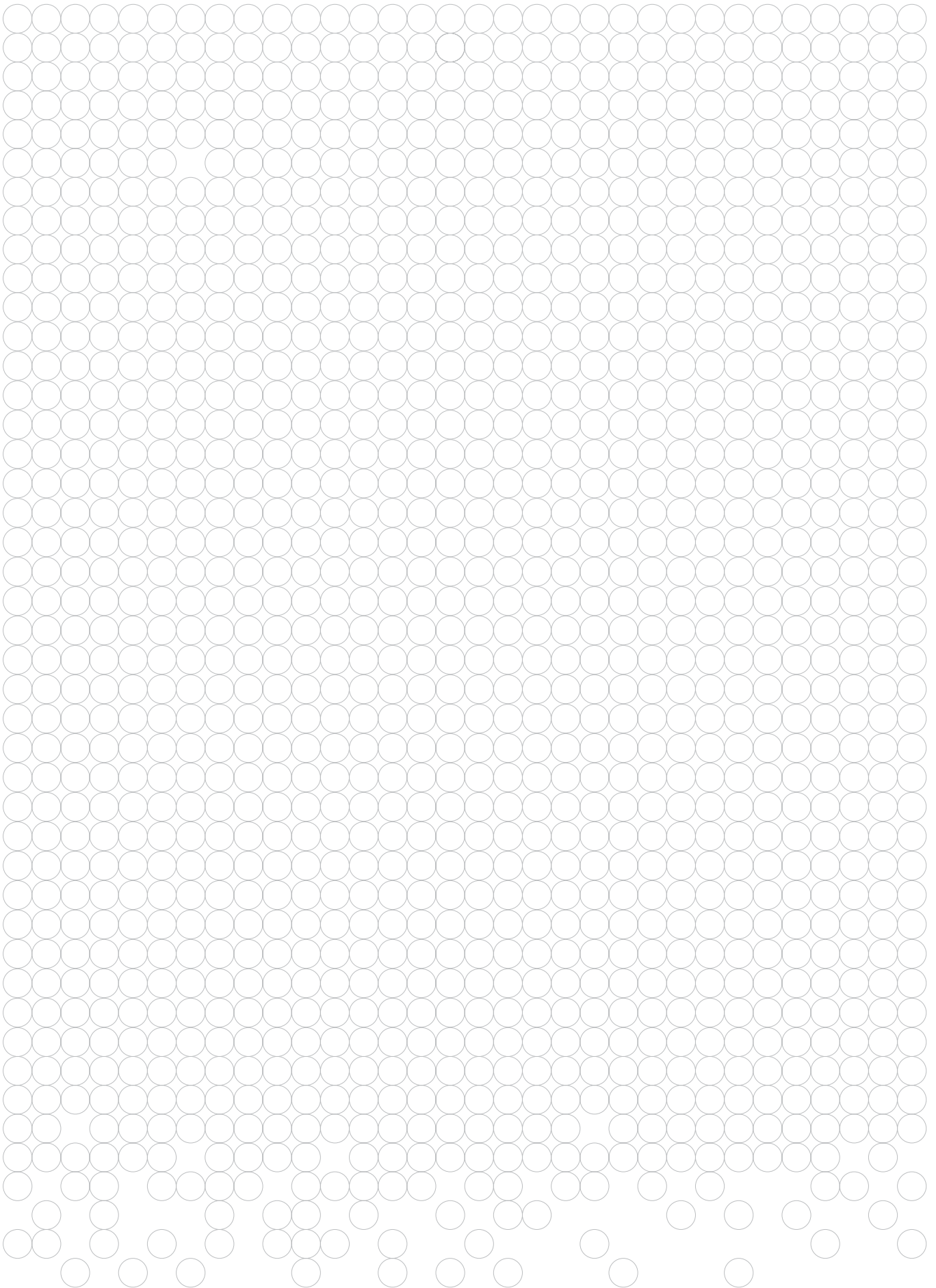
WARNING: after adjustment, firmly tighten screw 2

Adjusting arms alignment

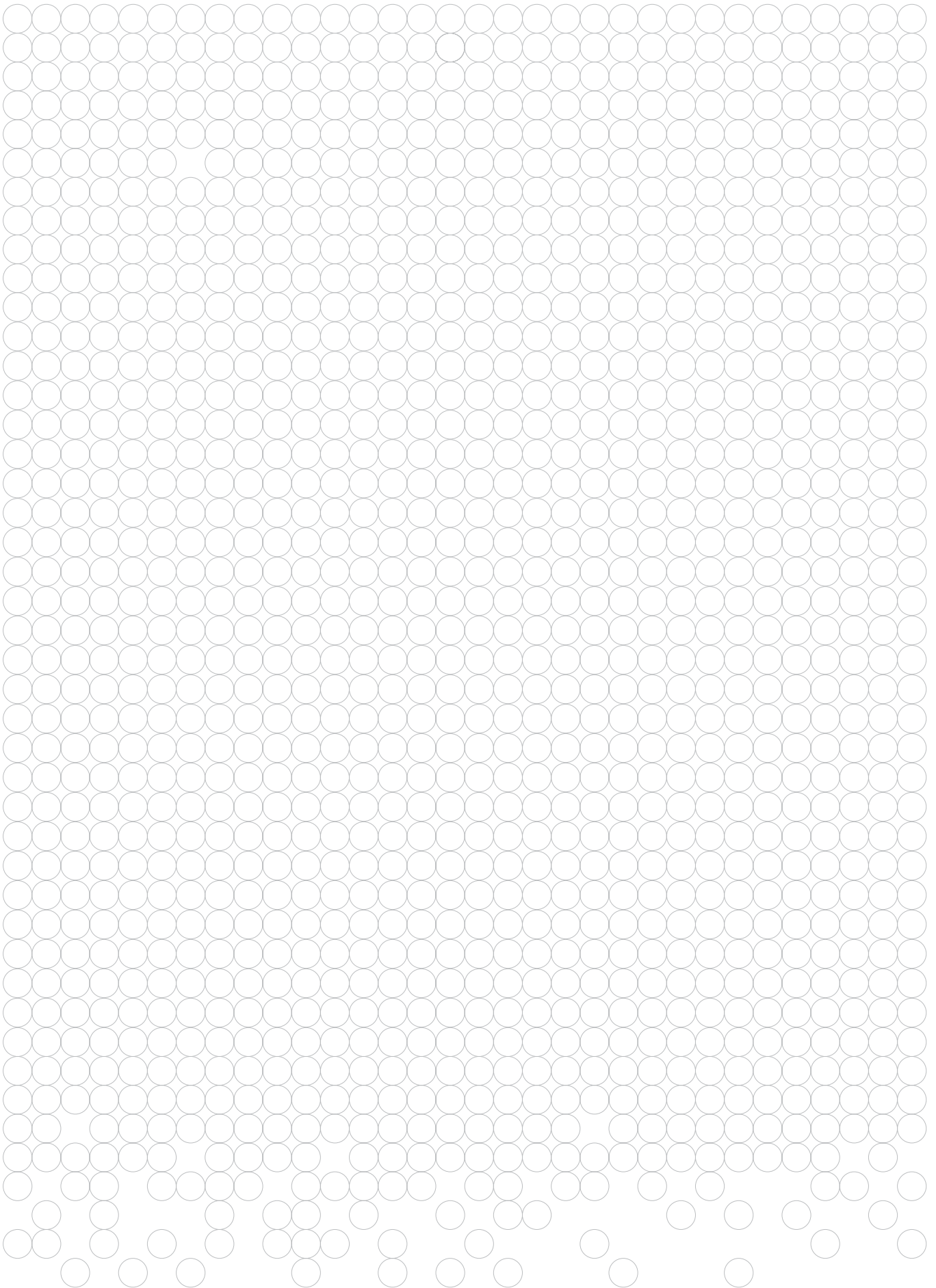


WARNING: after adjusting the awning angle and the limit switch, check that the arms are parallel when the awning is closed.
If they are not parallel, tighten or loosen the dowel (1) inside the lever (Allen wrench 3) supporting the arm accordingly and adjust the alignment when the awning is closed.

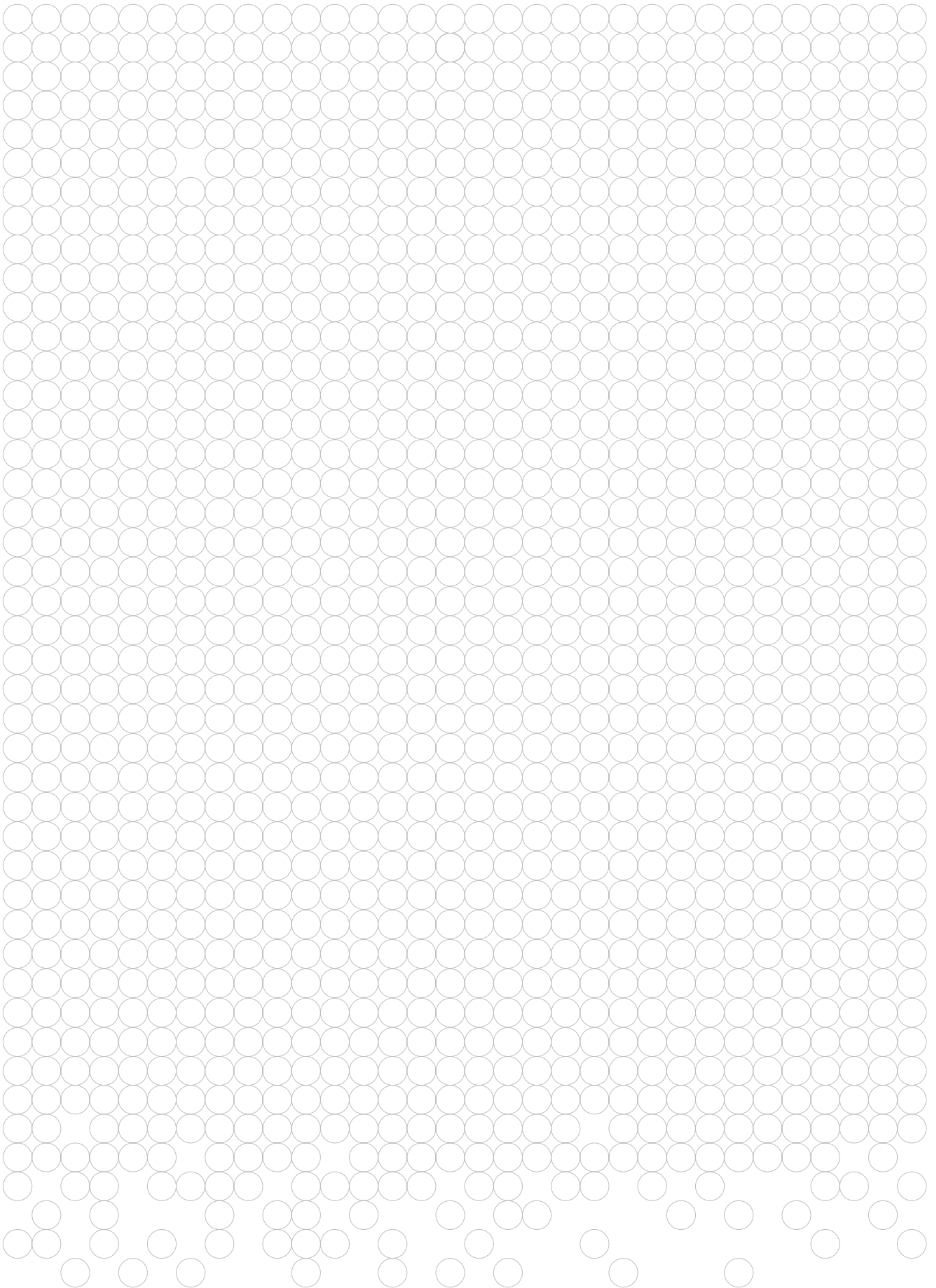
NOTES



NOTES



NOTES



Art direction **UbisThree**

Last revision: 05.2017



via Lazio, 42
31045 Motta di Livenza (TV) - Italy

t: +39 0422 1786080
f: +39 0422 1788073

info@shadelab.it
www.shadelab.it